



**McGuire Manufacturing Co., Inc.**

60 Grandview Court  
 P.O. Box 746 • Cheshire, CT 06410  
 203-699-1801 • Fax: 203-699-1813  
 www.mcguiremfg.com

**PRODUCT SPECIFICATION**

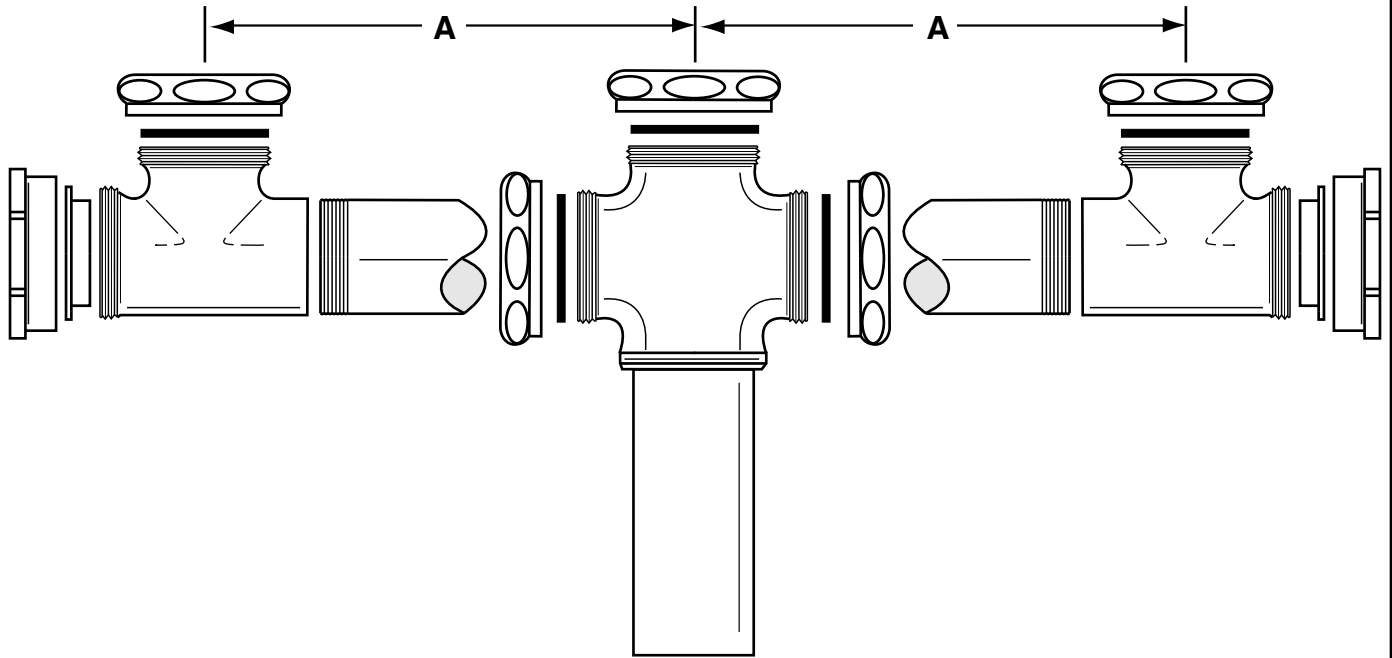
**Part No.**

**5212, 5214**

**Heavy Duty Center Outlet  
 Continuous Waste**

**Job Name:** \_\_\_\_\_

**Submittal Number:** \_\_\_\_\_



NO.	DESCRIPTION	ROUGHING MEASUREMENT
		A
5212	1-1/2" x 1-1/2" 3 Part 25" Center	25"
5214	1-1/4" Inlet x 1-1/2" 3 Part 25" Center	25"

See options and accessories section for details on product variations.

**Specifications:**

Heavy Duty Center Outlet Continuous Waste with heavy polished chrome plated cast brass tees, 17 gauge seamless brass tubing, cast brass slip nuts and cleanout end caps.